



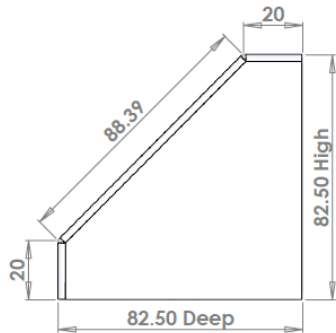
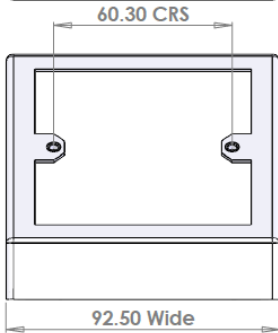
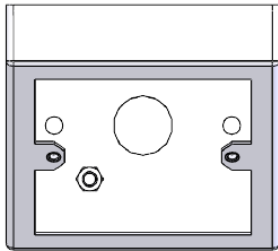
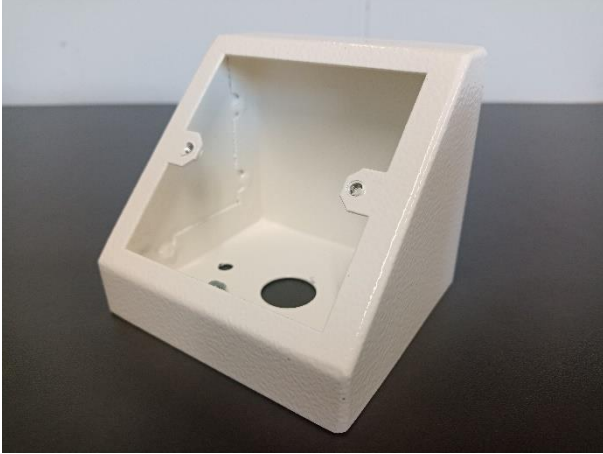
# Sheetmetals Ltd

6-10 Piperell Way, Haverhill,  
Suffolk, CB9 8PH  
Tel:01440 706218  
Email : info@dbsheetmetals.co.uk  
www.dbsheetmetals.co.uk

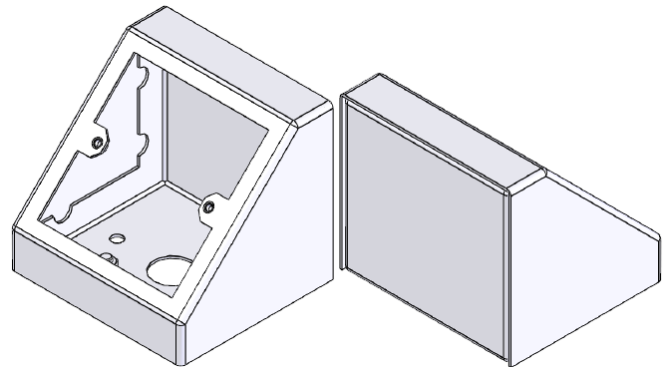


*Specialists In  
Punching  
Laser Cutting  
Forming  
Mig / Tig Welding  
In House Powder Coating*

## Data Sheet - Single Sided, Metal, Single Pedestal Box - For 1 OFF, 1 Gang, Electrical SSO



**Product Code:** 0213  
**Width:** 92.50mm  
**Depth:** 82.50mm  
**Height:** 82.50mm



Engineered and manufactured by DB Sheetmetals Ltd, an ISO accredited UK company, using the latest equipment, to ensure a high-quality finished product.

Suitable for bench/worktop mounted installations. Applications include: Science and research laboratories, educational, commercial and industrial facilities, including workshops.

- Designed, manufactured and supplied in the UK.
- Manufactured from 1.2mm thick, CR4 DC01 grade mild steel, for a durable and strong construction.
- Comes complete with a 20mm diameter cable entry point, earth terminal with hex nut and two 6mm diameter holes for mounting (fixing) purposes.
- Durable RAL 9010 semi-gloss leatherette epoxy powder coated finish as standard, giving a high level of protection against corrosion and chemical resistance. A range of different colours and finishes are available on request.
- Compatible with most standard sockets (fitment check can be resolved before ordering if required).
- Electrical socket outlet not included.



Certificate Number 12443

**DB Sheetmetals Ltd VAT Reg.No: 493110954  
Company Reg.No: 2227768**